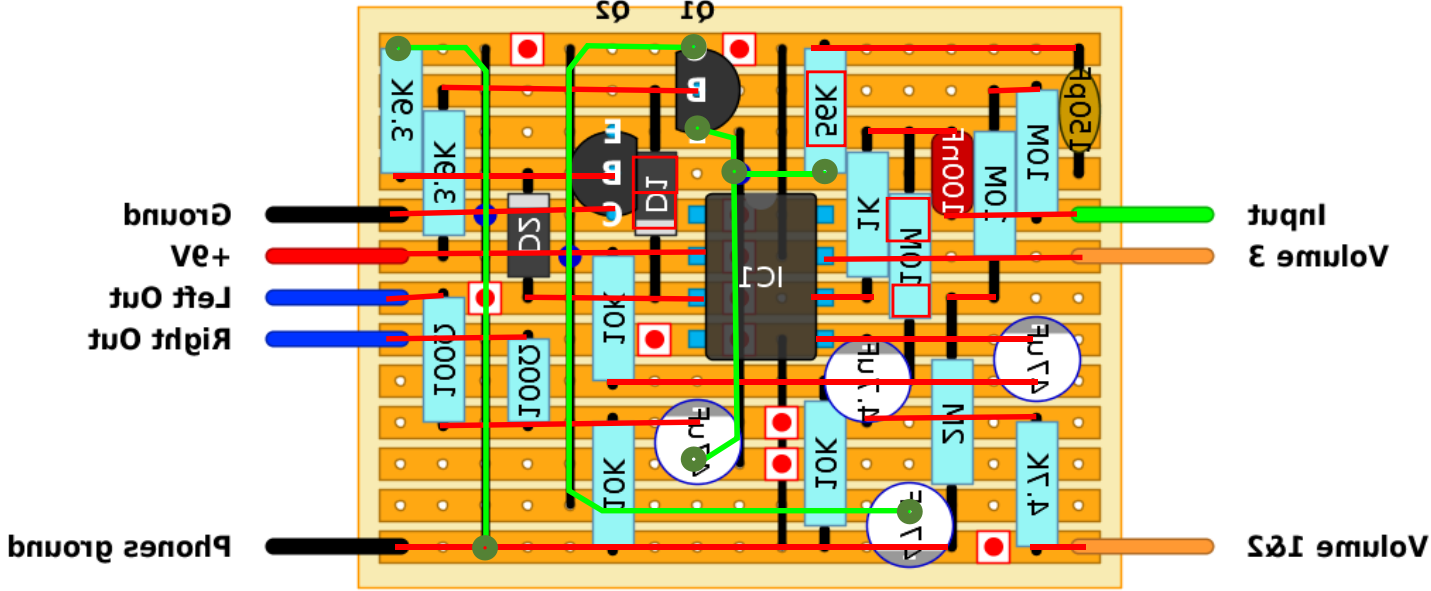
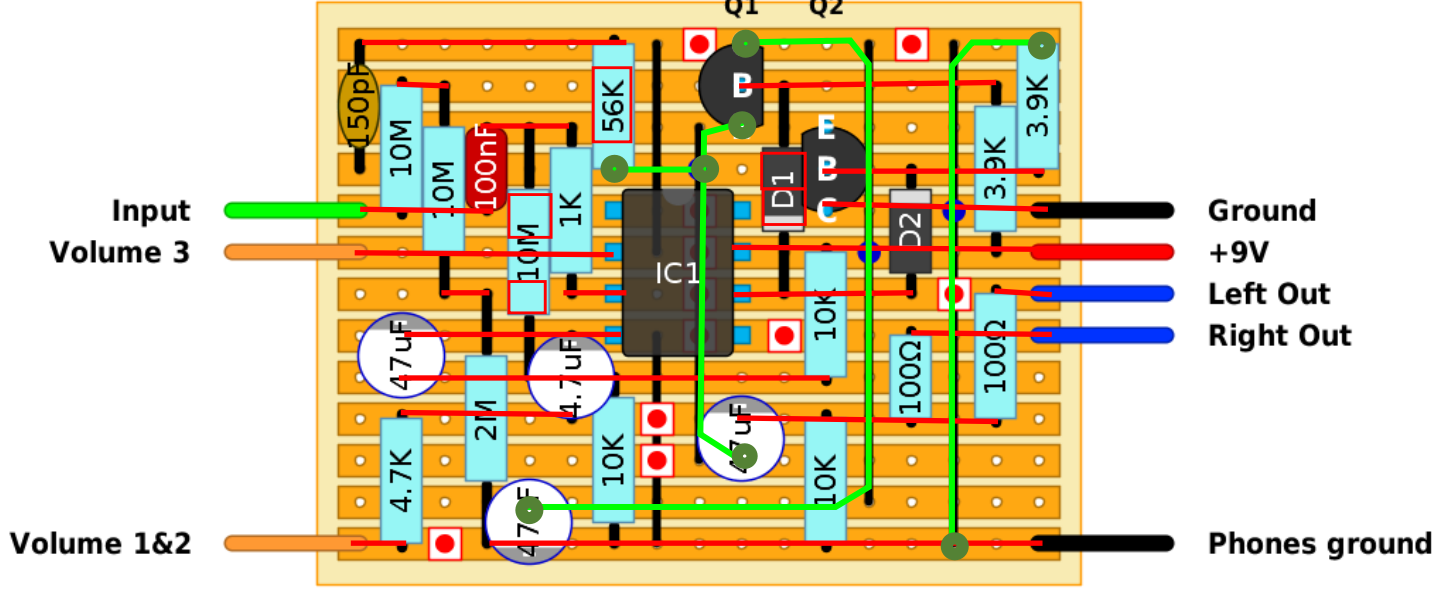
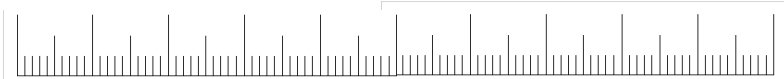
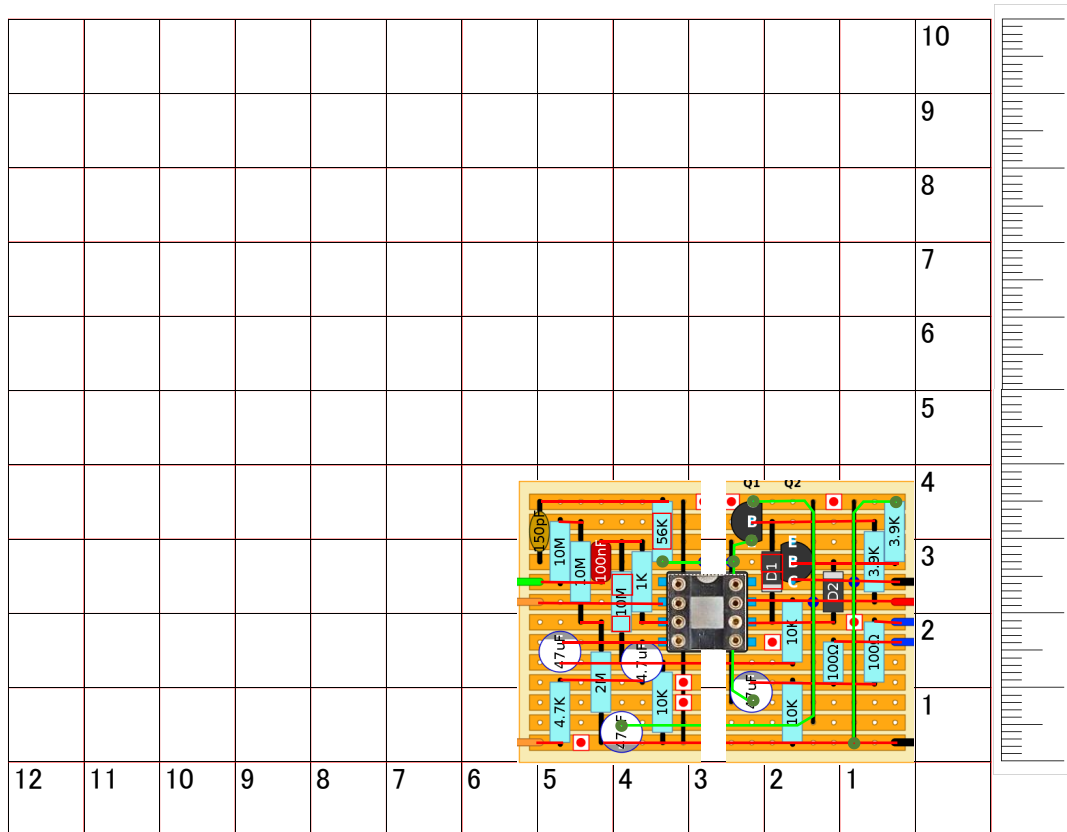


Volume 500K rev. log
 IC TL071, Q1 2N4401, Q2 2N4403 (try 2N3904/2N3906)
 Diodes are 1N914 (try 1N4148)
 Output is splitted mono
 ● Note the double links!

MXR Headphone Amp
<http://tagboardeffects.blogspot.com/>
 mirosol







41pics=10mm

Actual size(実寸大)